

ASTRO 5 Twins

Create Sustainable and Efficient Green Energy

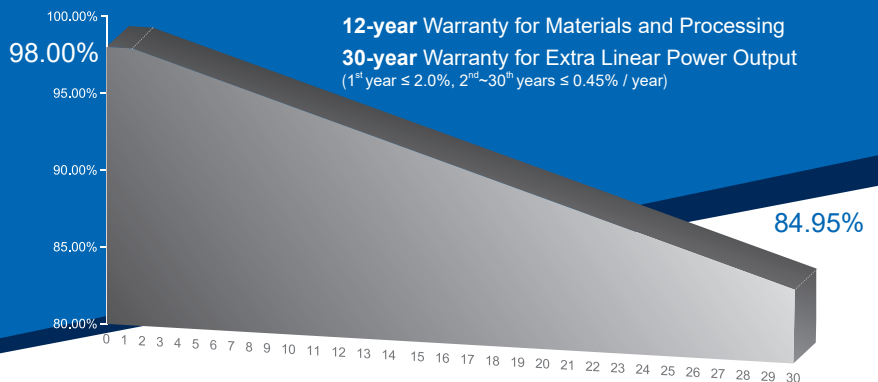


520W~540W

Monocrystalline PV Module

CHSM72M(DG)/F-BH Series (182)

CHSM72M(DG)/F-BH is bifacial module with white glazed glass



KEY FEATURES

- +5W OUTPUT POSITIVE TOLERANCE**
Guaranteed 0~+5W positive tolerance to ensure power output.
- NON-DESTRUCTIVE CUTTING**
Higher bending strength of cells and mechanical properties of modules.
- BIFACIAL DESIGN , HIGHER CUSTOMER VALUE**
Up to 25% additional power gain , lower BOS cost and LCOE.
- INNOVATIONAL HALF-CUT&MULTI-BUSBAR TECHNOLOGY**
Lower risk of microcrack, better shading tolerance, higher reliability.
- SUPER PERC+ CELL TECHNOLOGY**
Higher module power and module efficiency, lower power degradation.
- APPLICABLE FOR MULTI DIFFERENT ENVIRONMENTS**
Wide range of applications, such as snow areas, high humidity areas and strong sandstorm areas, etc.

COMPREHENSIVE CERTIFICATES



The first solar company which passed the TUV Nord IEC/TS 62941 certification audit.

For Global Market



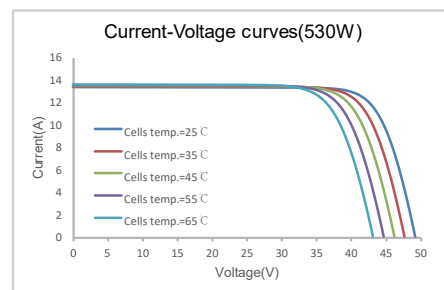
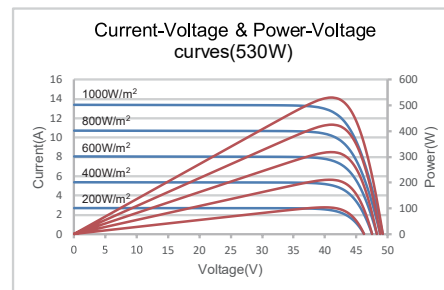
ASTRONERGY
A CHNT COMPANY

ELECTRICAL SPECIFICATIONS

Power rating (front)	520 Wp		525 Wp		530 Wp		535 Wp		540 Wp	
Testing Condition	Front	Back	Front	Back	Front	Back	Front	Back	Front	Back
STC rated output (P_{mpp}/Wp)	520	364	525	368	530	371	535	375	540	378
Rated voltage (V_{mpp}/V) at STC	41.26	41.31	41.43	41.48	41.60	41.65	41.76	41.81	41.93	41.98
Rated current (I_{mpp}/A) at STC	12.60	8.82	12.67	8.87	12.74	8.92	12.81	8.97	12.88	9.01
Open circuit voltage (V_{oc}/V) at STC	49.10	49.05	49.30	49.25	49.50	49.45	49.70	49.65	49.90	49.85
Short circuit current (I_{sc}/A) at STC	13.32	9.21	13.40	9.27	13.48	9.33	13.57	9.39	13.66	9.45
Module efficiency	20.3%	14.2%	20.5%	14.4%	20.7%	14.5%	20.9%	14.7%	21.1%	14.8%
Temperature coefficient (P_{mpp})						- 0.35%/°C				
Temperature coefficient (I_{sc})						+0.045%/°C				
Temperature coefficient (V_{oc})						- 0.27%/°C				
Nominal module operating temperature (NMOT)						41±2°C				
Maximum system voltage (IEC/UL)						1500V _{DC}				
Number of diodes						3				
Junction box IP rating						IP 68				
Maximum series fuse rating						30 A				

STC: Irradiance 1000W/m², Cell Temperature 25°C, AM=1.5

CURVE



ELECTRICAL SPECIFICATIONS (Integrated power)

P_{mpp} gain	P_{mpp}	V_{mpp}	I_{mpp}	V_{oc}	I_{sc}
5%	557 Wp	41.60 V	13.38 A	49.50 V	14.16 A
10%	583 Wp	41.60 V	14.02 A	49.50 V	14.83 A
15%	610 Wp	41.61 V	14.65 A	49.51 V	15.50 A
20%	636 Wp	41.61 V	15.29 A	49.51 V	16.18 A
25%	663 Wp	41.61 V	15.92 A	49.52 V	16.85 A

Electrical characteristics with different rear power gain (reference to 530W)

PACKING SPECIFICATIONS

① Module Weight	32.3 kg
② Packing unit	31 pcs / box
Weight of packing unit (for 40'HQ container)	1040 kg
Number of modules per 40'HQ container	620 pcs

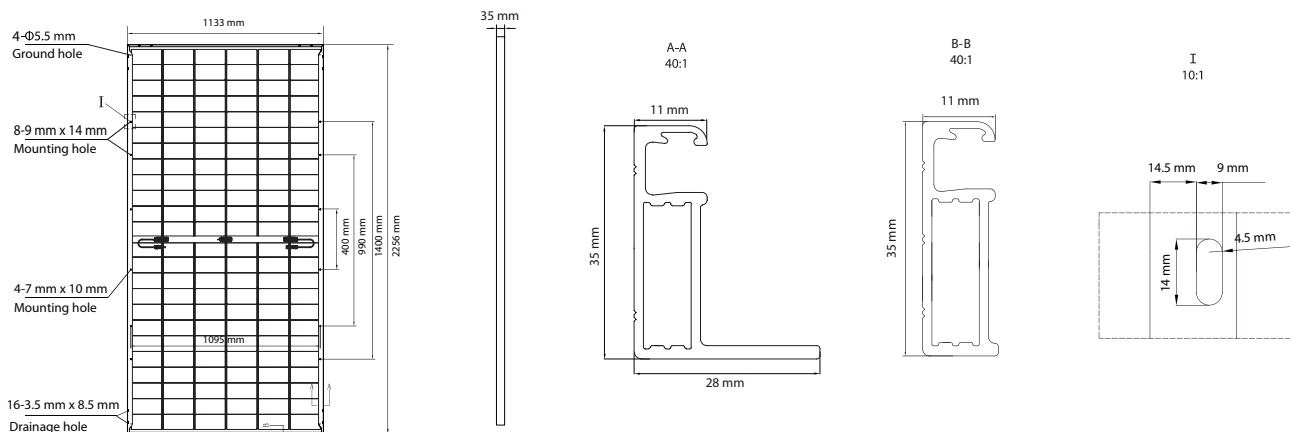
- ① Tolerance +/- 1.0kg
② Subject to sales contract

MECHANICAL SPECIFICATIONS

Outer dimensions (L x W x H)	2256 x 1133 x 35 mm
Frame technology	Aluminum, silver anodized
Glass thickness	2.0 mm
Cable length (IEC/UL)	Portrait: 300 mm Landscape: 1400 mm
Cable diameter (IEC/UL)	4 mm ² / 12 AWG
① Maximum mechanical test load	5400 Pa (front) / 2400 Pa (back)
Connector type (IEC/UL)	HCB40 / MC4-EVO2

① Refer to Astronergy crystalline installation manual or contact technical department.
Maximum Mechanical Test Load=1.5×Maximum Mechanical Design Load.

MODULE DIMENSION DETAILS



© Chint Solar (Zhejiang) Co., Ltd. Reserves the right of final interpretation. please contact our company to use the latest version for contract.